

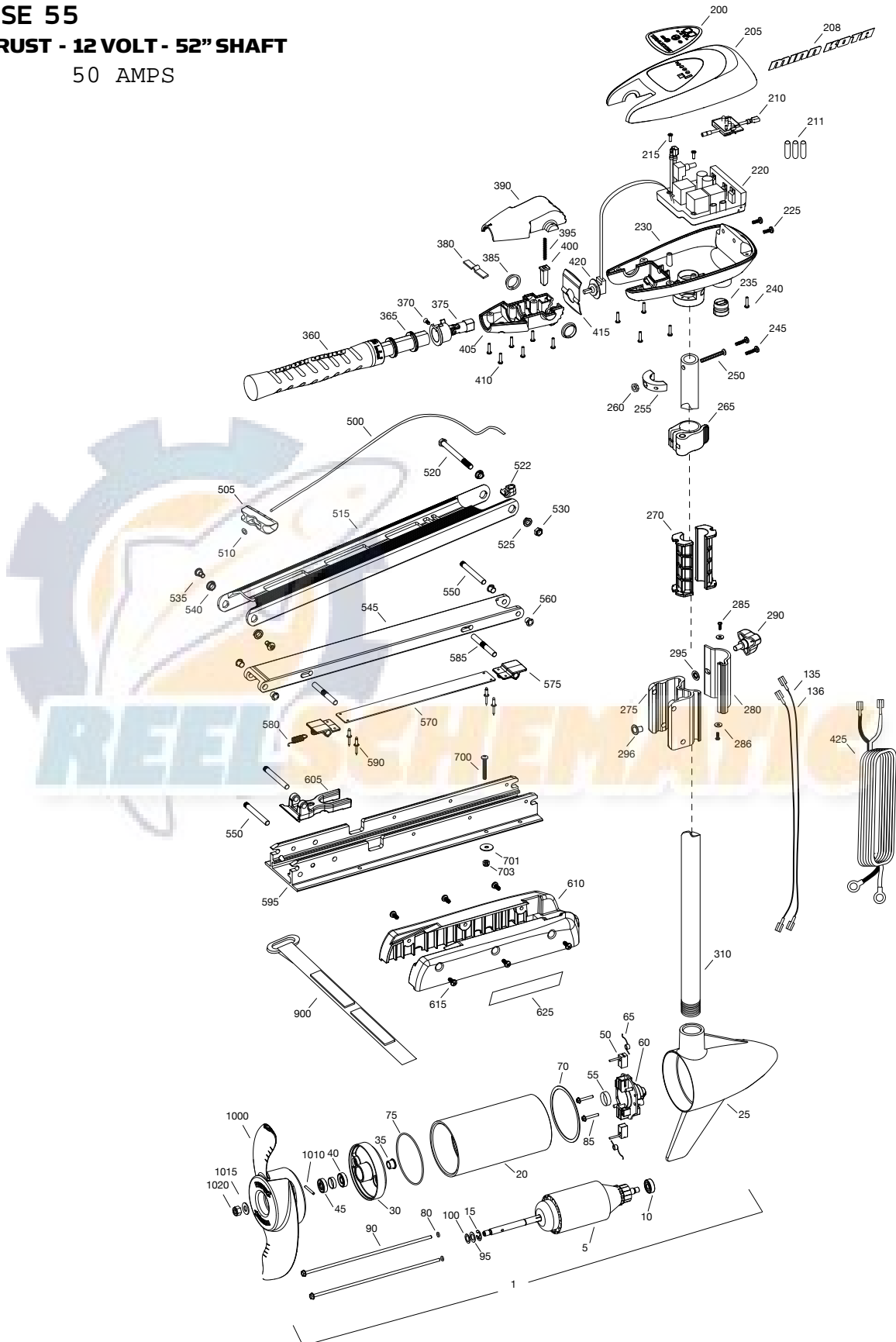
PARTS DIAGRAM

Motors with serial number beginning with "P" - 2 Year Warranty

RIPTIDE SE 55

55 LBS THRUST - 12 VOLT - 52" SHAFT

50 AMPS



RIPTIDE SE 55

55 LBS THRUST - 12 VOLT - 52" SHAFT

ITEM	QTY	PART NUMBER	DESCRIPTION	ITEM	QTY	PART NUMBER	DESCRIPTION	ITEM	QTY	PART NUMBER	DESCRIPTION
1	1	2097095	12V MOTOR 52" SW	240	6	2303412	SCREW – #6 X 5/8 SS	515	1	2264271	UPPER ARM, SHORT
5	1	2-100-117	ARMATURE ASSEMBLY	245	2	2263434	SCREW – #8 X 1 SS	520	1	2263506	BOLT – 3/8-16 X 4.25, SS
10	1	140-010	BEARING	250	1	2383406	SCREW – #10-24 X 2 SS	522	1	2262310	ROPE GUIDE
15	1	788-015	RETAINING RING	255	1	2061517	CONTROL BOX COLLAR	525	2	2267303	UPPER BUSHING, 3/8"
20	1	2-200-301	CENTER HOUSING ASSEMBLY	260	1	2333101	NUT – 10-24, NYLOCK, SS	530	1	2263115	NUT – 3/8-16 SS
25	1	421-336	BRUSH END HOUSING ASSEMBLY	265	1	2991521	CAM LOCK/DEPTH COLLAR ASSY	535	2	2263510	SHOULDER BOLT,
30	1	2-400-337	PLAIN END HOUSING ASSEMBLY	270	2	2261537	HINGE SLEEVE	540	2	2267302	BUSHING, SS
35	1	144-049	FLANGE BEARING	■	1	2991839	HINGE & DOOR ASSEMBLY [275-295]	545	1	2264343	LOWER ARM, STD, SW
40	1	880-003	SEAL	275	1	2261894	HINGE BASE ASSEMBLY	550	3	2260504	PIVOT PIN, SS
45	1	880-006	SEAL WITH SHIELD	280	1	2261898	HINGE DOOR	560	4	2266002	BUSING – NYLINER 3/8
50	2	188-036	BRUSH	285	2	2332100	SCREW – #8-32 X 3/8, SS	■	1	2993811	LATCH STRAP ASSY [570-590]
55	1	725-035	PAPER TUBE W/HOLDER	286	2	2261732	WASHER – #8 NYLON	570	1	2263605	LATCH STRAP
60	1	738-036	BRUSH PLATE	290	1	2260906	KNOB	575	2	2261902	LATCH BRACKET
65	2	975-040	BRUSH SPRING	295	1	2261728	RETAINING WASHER	580	1	2262709	LATCH PIN SPRING, SS
70	1	337-036	GASKET	296	1	2264703	THREADED INSERT	585	2	2260502	LATCH PIN, SS
75	1	701-081	O-RING, MOTOR	310	1	2002014	TUBE COMPOSITE 52"	590	4	2268602	RIVET – 1/8 SS
80	2	701-008	O-RING, THRU-BOLT	■	1	2990957	HANDLE ASSY, VARS [360-410]	595	1	2266503	BOWPLATE W/ INSERT, STD, SW
85	2	830-007	SCREW – #8-32	360	1	2990456	GRIP/HANDLE ASSY, [360-375]	605	1	2261544	YOKE
90	2	830-042	THRU-BOLT	365	2	2060015	BEARING, HANDLE	610	1	2263906	MOTOR REST, STD, SW
95	2	990-067	STEEL WASHER	370	1	2063405	SCREW, #6 PPH SS	615	6	2332104	SCREW – 1/4-20 X 5/8, SS
100	2	990-070	WASHER – NYLATRON	375	1	2884092	YOKE / SPIDER ASSY, VARS	625	2	2265668	MOTOR REST DECAL
135	1	640-008	BLACK LEADWIRE	380	1	2302742	SPRING, DETENT, OFF	■	1	2994830	BAG ASSEMBLY
136	1	640-107	RED LEADWIRE	385	2	2060005	BEARING, HANDLE PIVOT	700	6	2263462	SCREW – 1/4-20 X 3 1/2" PPH, SS
■		2888460	SEAL AND O-RING KIT	390	1	2060900	HANDLE PIVOT, TOP	702	6	2261713	WASHER – 1/4 SS
200	1	2195654	C-BOX COVER DECAL	395	1	2302745	SPRING, RELEASE BUTTON	703	6	2263103	NUT – 1/4-20 NYLOCK, SS
205	1	2060296	CONTROL BOX COVER	400	1	2063700	BUTTON, RELEASE	900	1	2263805	HOLD DOWN STRAP
208	2	2325666	MINN KOTA DECAL	405	1	2060905	HANDLE PIVOT, BOTTOM	■		1378131	PROPELLER KIT WW2
210	1	2074080	BATTERY METER, 12V SW	410	6	2303412	SCREW, #6 X 5/8 SS	■		2994875	PROPELLER BAG ASSY
211	1	2305415	SHRINK TUBE	415	1	2062715	HANDLE PIVOTS PRING	1000	1	2091160	PROPELLER WW2
	1	2305410	SHRINK TUBE	420	1	2061700	WASHER – POT HOLDER	1010	1	2092600	DRIVE PIN, SMALL
	1	2305403	SHRINK TUBE	425	1	2992521	LEADWIRE ASSY	1015	1	2151726	SMALL PROP WASHER
215	2	3043427	SCREW – #8 X 7/8 SS	■	1	2991718	MOUNT, ASSEMBLY SHORT SW [270-295, 500-625]	1020	1	2198400	PROPELLER ANODE
220	1	2184016	CONTROL BOARD, 12V	500	1	2251601	ROPE				
225	2	2303434	SCREW – 1/4 - 20 X 5/8	505	1	2150400	PULL GRIP				
230	1	2062503	CONTROL BOX VARS, SW	510	1	2151700	WASHER				
235	1	2062905	STRAIN RELIEF								

■ THIS ITEM IS PART OF AN ASSEMBLY.

*THIS ITEM IS PART OF A KIT AND ONLY LISTED FOR VIEWING PURPOSES.

MOTOR WIRING DIAGRAM

NOTE: This is a universal, multi-voltage diagram. Double check your motor's voltage for proper connections. Over-Current Protection Devices not shown in this illustration.

Riptide 55 SE is 12-volt only!

VARIABLE SPEED SWITCH

